

SKYDECK Panelised Slab Formwork

The proven aluminium panelized slab formwork with fast shuttering times

Product Brochure – Issue 04/2019



Content

In the focus	System overview
2 The main system components	16 SKYDECK at a glance
System advantages	Standard applications
4 The proven aluminium panelized slab formwork with fast shuttering times	18 Propheads for SKYDECK
6 Effortless working	19 Compensations
8 Fast forming	20 Shuttering of columns
10 Low on-site material requirements	21 Logistics accessories
12 Easy cleaning	
13 Highest product quality	
14 High level of safety on all sides	

Edition 04 | 2019

Publisher

PERI GmbH
Formwork Scaffolding Engineering
Rudolf-Diesel-Strasse 19
89264 Weissenhorn
Germany
Phone +49 (0)7309.950-0
Fax +49 (0)7309.951-0
info@peri.com
www.peri.com

22 **Project examples**
Reference projects
with SKYDECK

26 **Components**
SKYDECK system components

Important information

All current safety regulations and guidelines must be observed in those countries where our products are used.

The photos shown in this brochure feature construction sites in progress. For this reason, safety and anchor details in particular cannot always be considered as conclusive or final. These are subject to the risk assessment carried out by the contractor.

In addition, computer graphics are used which are to be understood as system representations. For ensuring a better understanding, these and the

detailed illustrations shown have been partially reduced to certain aspects. The safety installations which have possibly not been shown in these detailed descriptions must nevertheless still be available. The systems or items shown might not be available in every country.

Safety instructions and load specifications are to be strictly observed at all times. Separate structural calculations are required for any deviations from the standard design data.

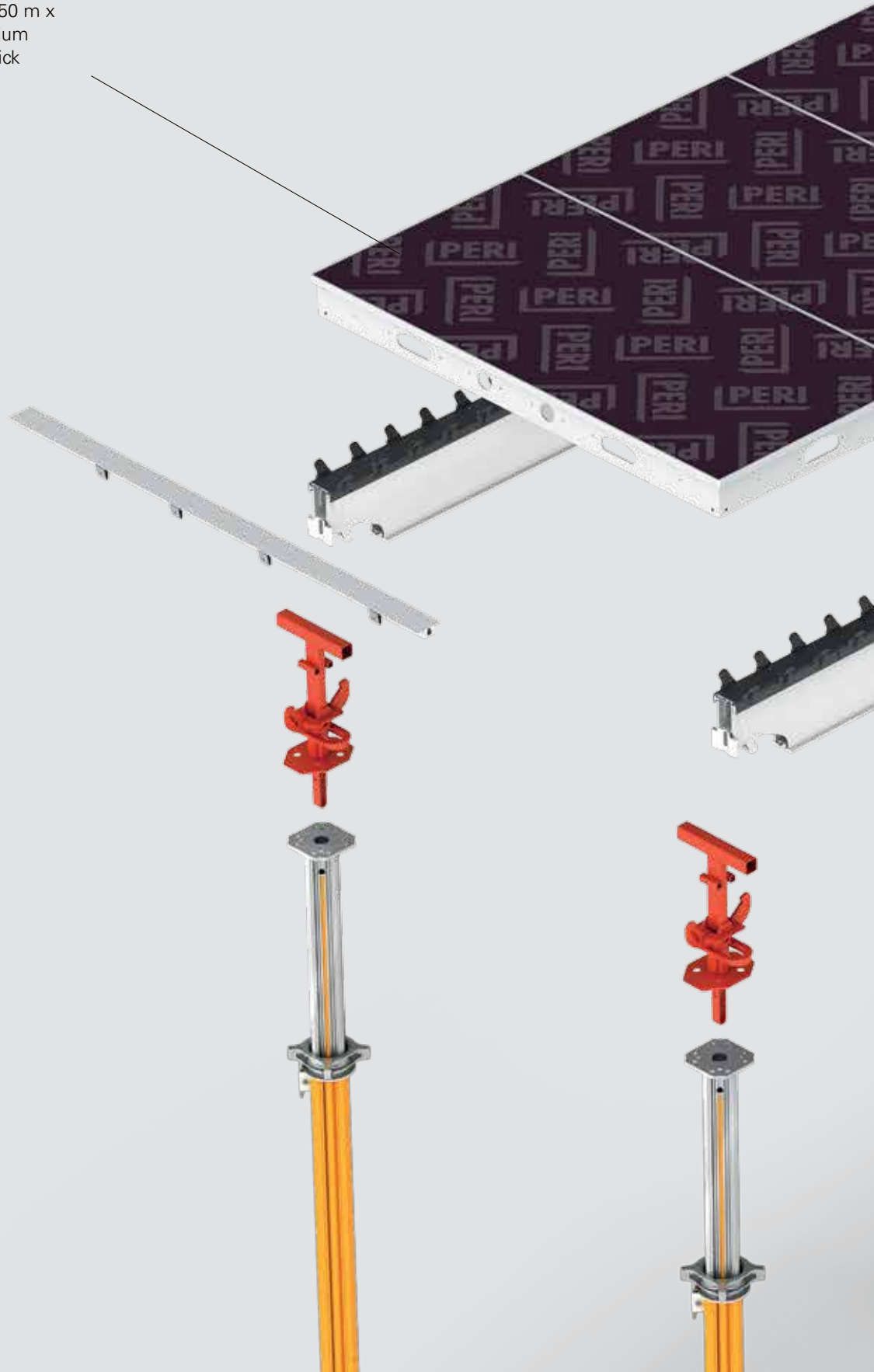
The information contained herein is subject to technical changes in the interests of progress. Errors and typographical mistakes reserved.

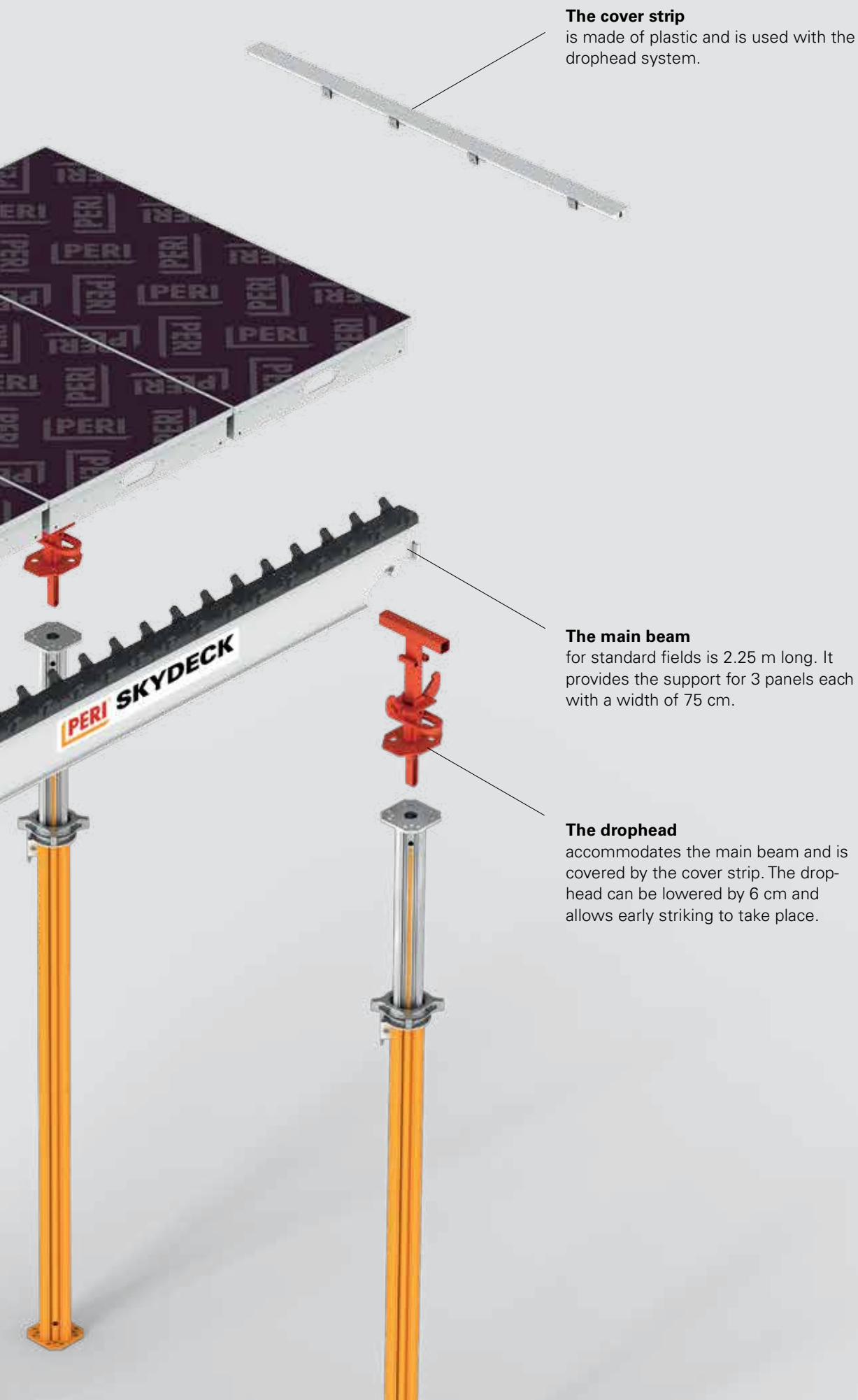
The main system components

Only 4 elements for the use with early striking

The SKYDECK Panel

for standard fields measures 1.50 m x 0.75 m. The lightweight aluminium frame is covered with 9 mm thick formlining.





The cover strip

is made of plastic and is used with the drophead system.

The main beam

for standard fields is 2.25 m long. It provides the support for 3 panels each with a width of 75 cm.

The drophead

accommodates the main beam and is covered by the cover strip. The drophead can be lowered by 6 cm and allows early striking to take place.



SKYDECK Panelized Slab Formwork

The proven aluminium panelized slab formwork with very fast shuttering times

SKYDECK panelized slab formwork allows fast as well as safe forming operations with a systematic assembly sequence. The low weight of the panels, compact dimensions and practical design of the system components facilitate non-tiring and ergonomic working operations.

SKYDECK has been designed for standard use in constructing slabs with thicknesses up to 43 cm. With the small panel span (75 cm) and, if required, a middle support under the main beam, slabs up to 109 cm thick can be formed. SKYDECK's range of applications extends from residential construction through to industrial construction projects.

The systematic assembly sequence and lightweight system components made of aluminium accelerate working operations. In addition, the possibility of early striking with the drophead system reduces on-site material requirements.

With SKYDECK, infill areas are reduced to an absolute minimum. Furthermore, the system makes a convincing case with an extensive range of safety and logistical accessories.

A further advantage is the easy horizontal transportation of formwork materials as the small prop requirements ensure more freedom of movement under the slab formwork.

Effortless working

with lightweight and easy to handle components

Fast forming

with a simple, systematic assembly sequence and fewer slab props

Low on-site material requirements

due to early striking with the drophead and fast deployment of the panels and beams in the next storey

Easy cleaning

through powder-coated elements, components made of plastic, and undercut panel edges



Effortless working

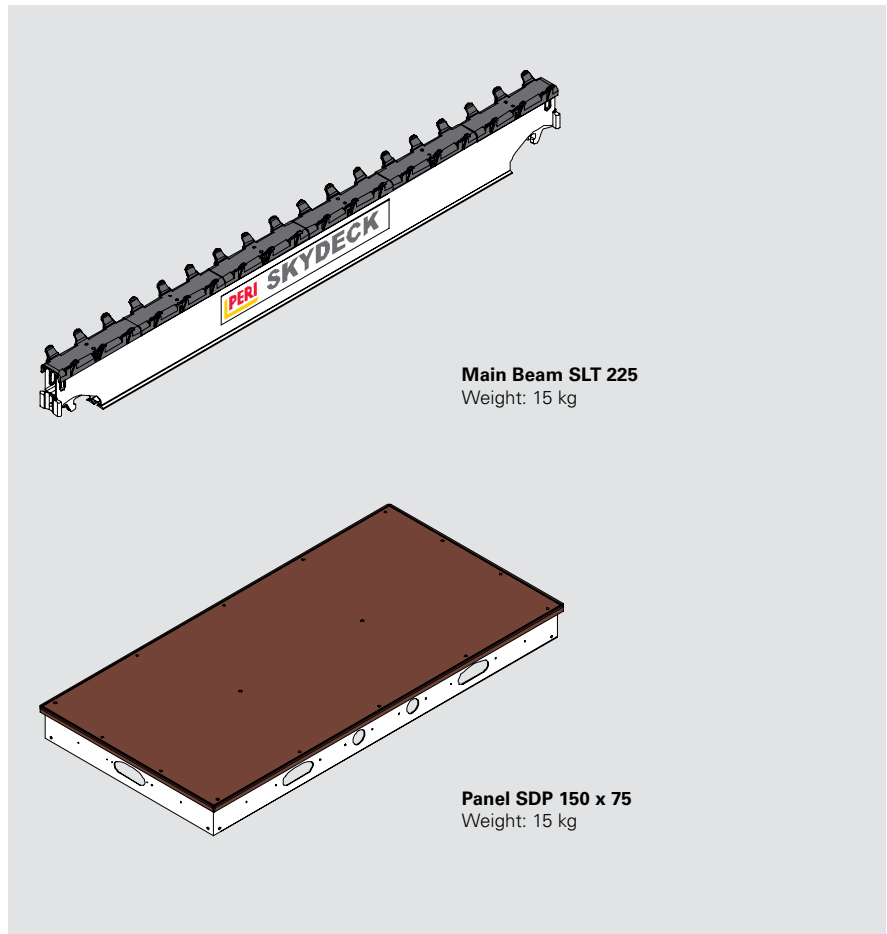
Very light and easy-to-handle components

Low individual weights and practical dimensions are distinct advantages in daily formwork operations with SKYDECK. The low weight clearly makes a noticeable difference, among other things, in the work performance.

The heaviest SKYDECK system component for the standard configuration is the 15 kg main beam. As a result, all SKYDECK components can be moved by just one person.

With dimensions of only 150 cm x 75 cm, the panels can easily be transported on the construction site – e.g. also through door openings. When carrying the panels, the immediate working area is always in view which greatly reduces the risk of tripping over.

Last but not least, as safety levels are enhanced when working with SKYDECK, site personnel do not tire so quickly.

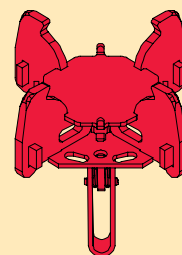


SKYDECK heads are equipped with a self-locking coupling. Therefore, they can be connected very quickly and securely to the slab props – no time-consuming use of screws, bolts or wedges is required.

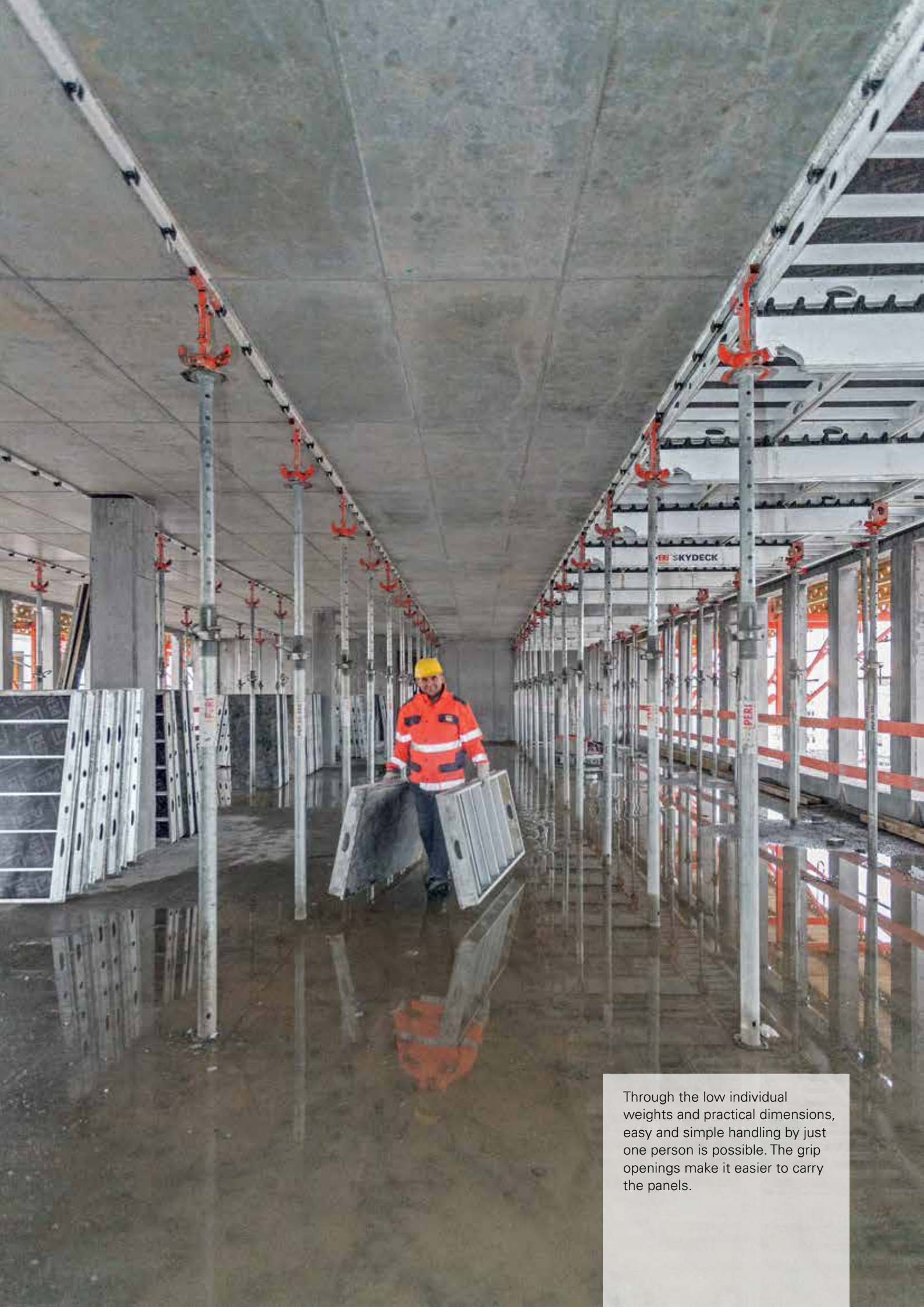
Removal is simply a matter of releasing the coupling and then taking the head off. To accommodate different supporting heights, the props can therefore be changed extremely quickly.



The self-locking coupling: drophead, prop and combi heads are securely mounted by simply inserting and locking in place. The heads fit all standard slab props with 40 mm hole diameters.



The SKYDECK Prop Head is an alternative if early striking is not required. It serves to support panels, main and edge beams as well as filler timbers.



Through the low individual weights and practical dimensions, easy and simple handling by just one person is possible. The grip openings make it easier to carry the panels.

Fast forming

Simple, systematic assembly sequence with minimum slab prop requirements

SKYDECK offers a simple, systematic assembly sequence and high degree of installation safety. The recurring procedures accelerate work procedures and handling is quickly mastered even by personnel unfamiliar with the system.

Forming of standard fields is extremely simple with SKYDECK: after mounting the main beams in the drophead or prop head, the prop is positioned vertically and the panel is then inserted.

The panel is secured in position during assembly by the outwardly projecting teeth of the main beams, this means that the SKYDECK system provides a high level of working safety also during installation.



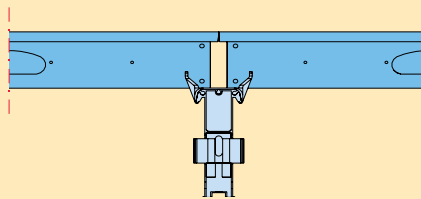
The SKY Anchor allows the panels to be safely inserted from above. It provides a mobile attachment point for a single person using personal protective equipment against falling (PPE) for ensuring safe shuttering operations from above.

“The personal companion for forming from above” can easily be fixed to the drophead. The safety equipment provides an improved feeling of safety and thus accelerates the working processes.

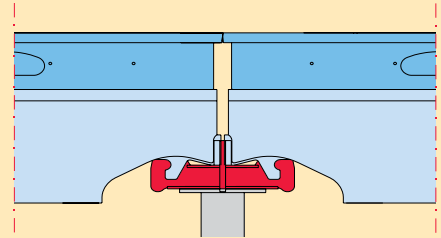
The SKY Anchor weighs only 15 kg. Thanks to its low weight it can be moved quickly and easily by one person.



The outward projecting teeth on the main beam secure the panel against moving out of position both longitudinally and transversely. At the same time, they align the beams. This ensures fast forming operations including a high level of safety.



Cross-section through the main beam shows: the teeth on the main beams secure the position of the panels.

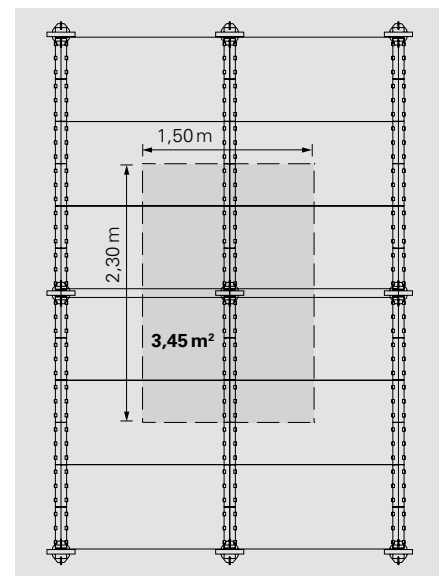


View of the main beam: the main beam is mounted rigidly on the drophead or prop head and cannot tilt.

Thanks to the SKYDECK main beam, only 0.29 slab props per m² of slab area are required for standard applications.

With the SKYDECK system, one slab prop supports a field size of up to 3.45 m². This saves on both materials and working time.

In addition, the large prop spacing provides a comfortably-spaced working area under the slab formwork. This facilitates the transport of formwork materials as well as the storage of construction materials.



Low on-site material requirements

Early striking with the drophead and fast deployment of the panels and beams in the next storey

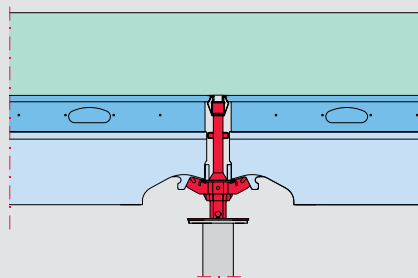
The drophead facilitates early striking so that panels and main beams are quickly made available for subsequent concreting sections.

Depending on the slab thickness and strength of the concrete, striking can partly be carried out after only one day. One blow of the hammer releases the drophead and, in the process, the formwork is lowered by 6 cm. Main beams and panels can then be struck. In the field area, only the props remain in position together with the dropheads and cover strips. The props in the edge or compensation areas can however be removed.

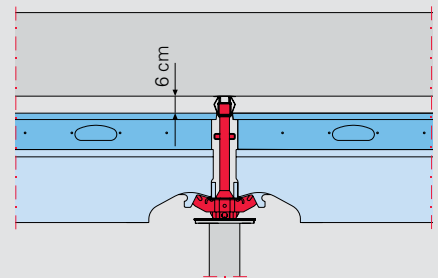
Early striking minimizes on-site material requirements because many system components can be used earlier for the next cycle. In addition, work on the construction site can also be better compensated; for example, through early striking in bad weather or when there is spare capacity.



Easy and simple early striking: the formwork is lowered by 6 cm with just one blow of the hammer. After lowering the dropheads, the central panel is removed first followed by the neighbouring panels.



View of the main beam after shuttering has taken place: the panels and cover strips form the underside of the concrete.



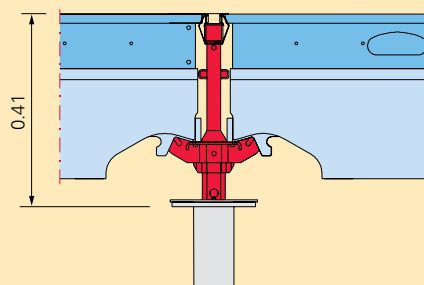
View of the main beam with lowered drophead: the cover strips and dropheads remain in position while panels and beams are struck.



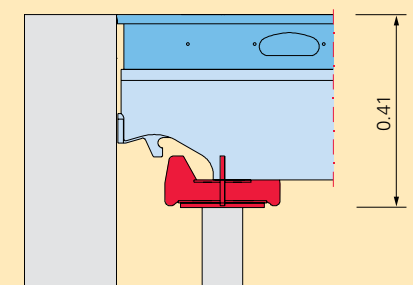
After early striking is finished, only the props with dropheads and cover strips remain in place. SKYDECK panels and beams are available for use in the next cycle.

An important application benefit

The extended length of the prop remains the same regardless of whether working in the standard field with the drophead, or at the wall junction with inset prop head.



The formwork assembly at the position of the drophead in the standard field.



The formwork assembly at the position of the inset prop head on the wall junction.

Easy cleaning

Powder-coated elements, components made of plastic, and undercut panel edges

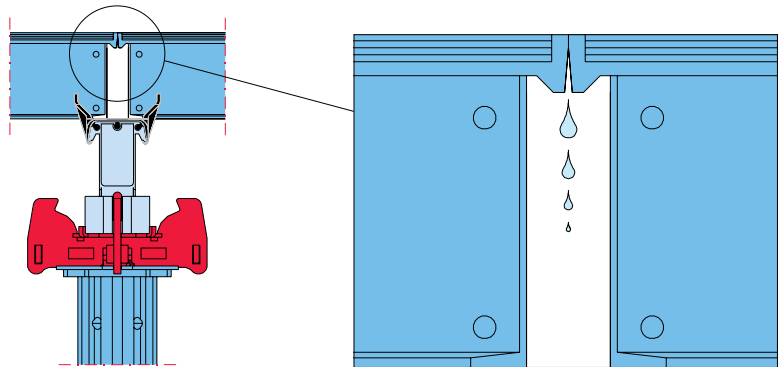
The SKYDECK slab formwork system has been designed in all respects to ensure that only a minimum of cleaning effort is required. This guarantees additional time-savings.

SKYDECK panels and main beams have self-draining edges as well as undercut panel edges. As a result, the side areas of the panels remain significantly cleaner than in other systems whereby the panels lie next to each other over the complete frame profile height.

In particular, if the drophead system is used and early striking takes place, cleaning requirements are kept to an absolute minimum. Because at this stage the concrete hardly adheres to the system components at all. In addition, the main beam is powder-coated and the rack is made of plastic. This also ensures that any concrete residue is prevented from remaining on the elements and then hardening.



The SKYDECK main beam is powder-coated and the rack is made of plastic. This prevents adhesion of the concrete and minimizes cleaning requirements.



During concreting operations, the SKYDECK main beam lies protected under the SKYDECK panels.

Panels and main beams have self-draining edges. This guarantees only a minimum of soiling on the side areas of the panels.

Highest product quality

For exceptional durability

The high PERI production quality ensures the robustness of the components as well as a long service life. All processes from purchasing through to delivery are subject to continuous quality assurance procedures.

At PERI, this already begins with the careful selection of materials and the procurement process. For the production of PERI system components, specially-trained personnel manufacture system components of the highest quality using state-of-the-art production equipment.

PERI has long-term experience especially in aluminium processing and powder coating. All this ensures excellent production results and robust system components that can stand up extremely well to the tough conditions encountered on the jobsite.



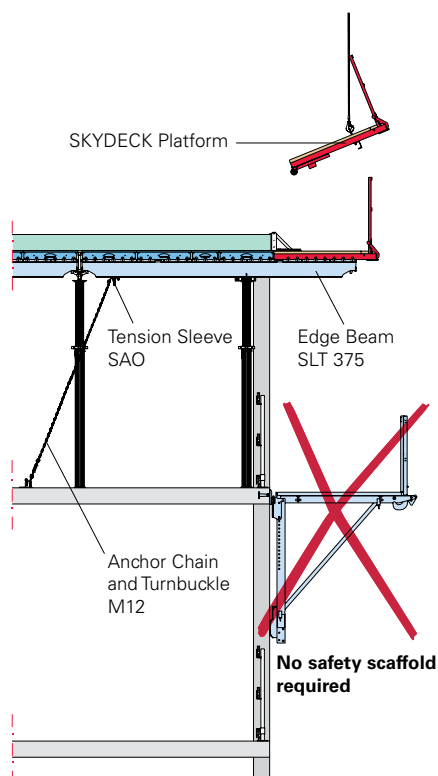
High level of safety on all sides

Safe and fast working in all situations



The SKYDECK Platform ensures safe working conditions on unsecured building edges. After a simple positioning procedure, it is immediately fixed against tipping or moving.

The foldable platform has been designed for a load of 150 kg/m². The Edge Beam SLT 375 serves as a support for the platform; the cantilevered beam is secured and tensioned by means of a chain. A very special benefit: at the edge of the building, the use of the SKYDECK Platform means no safety scaffold is required in the storey below.



Only one day after concreting the slab, the SKYDECK Platform serves as safety scaffold for working on structural columns and parapets – this saves on materials, workload and construction time.

For assembling guardrails at the casting segment, the SKYDECK portfolio includes guardrail units which are mounted transversely on the main beams.

The SKYDECK End Guardrails with 75 cm or 150 cm widths prevent falling from the front side of the SKYDECK. The guardrail units can be easily attached to the main beam – without requiring any additional fastening means. Due to a cleverly-devised mechanism, the guardrail locks in position automatically.

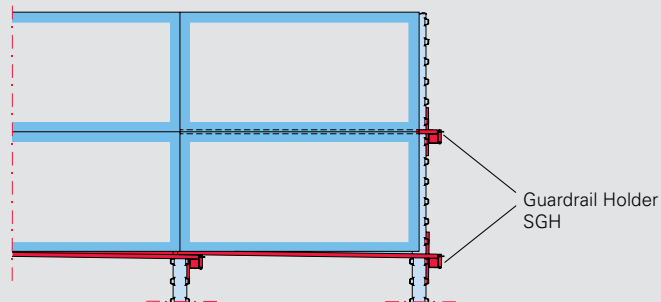
The complete guardrail unit can be mounted quickly and safely with one hand – no additional components or tools are required.



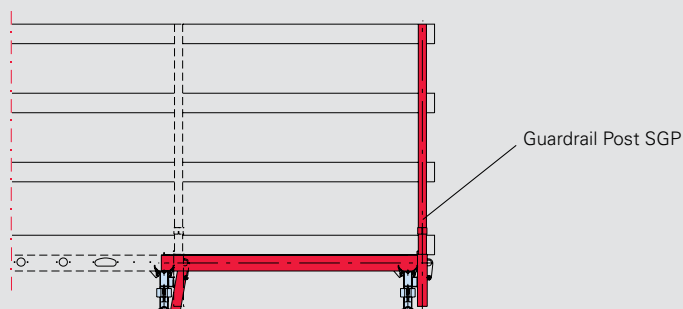
Alternatively, the leading edge on a casting segment can be secured with guardrails and guardrail posts.

The guardrail holder can be continuously mounted between the panels. Supplemented by guardrail posts and side protection boards, protection against falling on cycle joints can be realized.

Side protection at cycle joints in the ground plan



Side view of the side protection at cycle joints



SKYDECK at a glance

Standard applications, execution details and logistics accessories





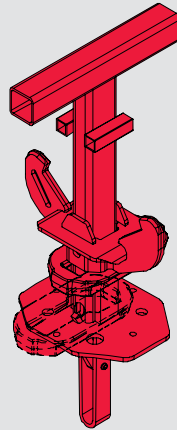
The SKYDECK slab formwork system provides efficient solutions for all required standard applications.

Regardless whether there are straight or oblique residual areas to be closed within the slab area or if columns have to be shuttered – SKYDECK offers a practical and fast solution for every situation requiring only a minimum number of supplementary system components. If necessary, the installation direction of the panels can also be turned by 90°. In addition, the system includes the necessary accessories for guaranteeing safe working in all situations. Last but not least, suitable pallets ensure space-saving storage and safe transportation.

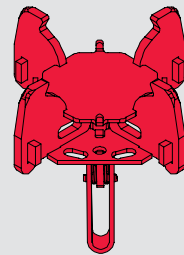
Propheads for SKYDECK, closing of residual areas

Standard propheads

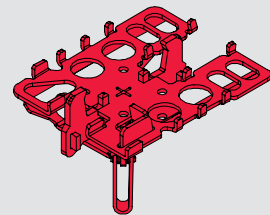
For SKYDECK, 3 propheads are available for different applications: apart from the drophead, there is a simple prophead and a combihead. All heads have the practical self-locking coupling.



The drophead supports the main beam and cover strip as well as the formlining. The head can be lowered by 6 cm which allows early striking to take place.



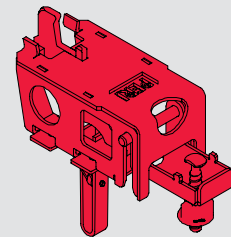
The prophead is used in order to directly support main beams, edge beams and filler timber.



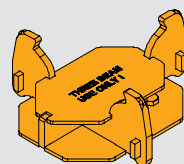
The Combihead SCK supports main beams, panels, edge beams and filler timber. It is used for longitudinal and lateral compensations up to 25 cm.

Propheads for changes in direction of the main beams and panels

For changing the direction of the main beams, the programme includes two additional propheads. With these heads, the direction of the panels can be changed by 90°. This provides more flexibility for adapting the slab formwork to match more complex layouts.



The directional change provided by the drop-head allows the direction of the main beam to be changed in the standard system.

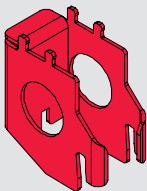


The directional change provided by the prop-head allows vertical changes in direction of the main beams in the standard system with prop-heads.

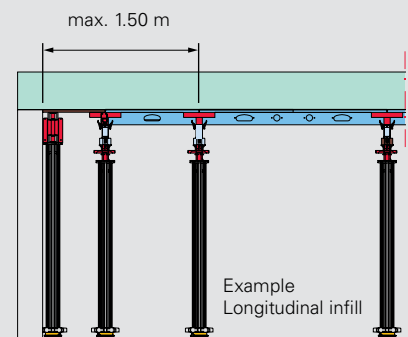
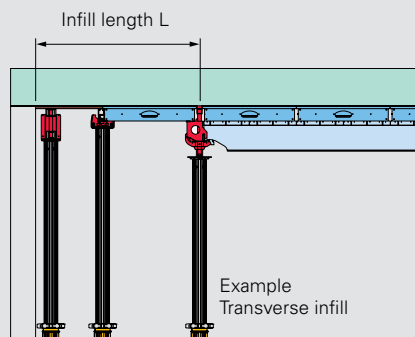
Length and width compensations in front of rising walls

Using SKYDECK results in a straight formwork line which simplifies edge adjustment. Both straight and inclined infill areas at the slab edges as well as areas with columns can be quickly closed.

Length and width adjustments are carried out using system components where possible. The remaining small compensation areas are closed using filler plates.

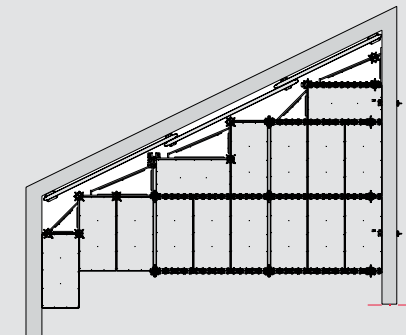


The end support is attached to the drophead and is the appropriate solution for the transition to the infill area.



Compensation for inclined walls

For compensation against inclined walls, triangular frames are available with different dimensions. These are supported on main beams, prop-heads or combiheads as well as end supports. A direct support is positioned on the wall side whereby the area is subsequently closed by means of a filler plate.



Shuttering of columns, logistics accessories

Shuttering of columns

In order to shutter columns under construction, panels can be recessed. For closing residual areas, edge beams and filler timber are used.

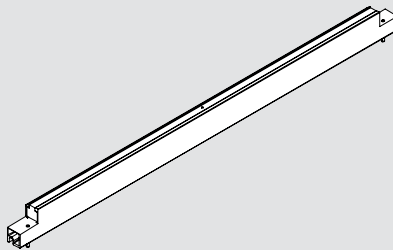
If an individual panel is recessed, the maximum column dimension is 55 cm x 138 cm. Edge beams with lengths of 150 cm and 75 cm respectively can then be positioned longitudinally or transversely to the adjacent panel and can be installed anywhere within a panel field.

For bigger column dimensions of up to 138 cm x 142 cm, a maximum of 3 panels can be recessed and closed with system components and filler timber.



For shuttering of columns under construction, SKYDECK Edge Beam SRT 150 or SRT 75 is used.

If the edge beams are used longitudinally as well as transversely, they must be installed upside down.



SKYDECK edge beams are used for longitudinal and transverse compensations and for shuttering of columns. These are covered by means of 21 mm thick formlining.

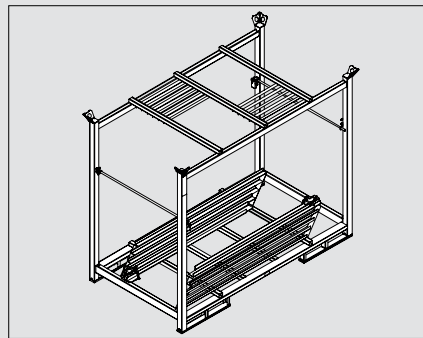
SKYDECK logistics accessories

The SKYDECK pallets ensure well-organized storage as well as the simple and, above all, safe transportation of slab panels. They can be moved with the crane or moved using a pallet lifting truck; in addition, they are suitable for use with a forklift truck. For further space savings, the pallets can be stacked. Hot-dip galvanizing makes the pallets particularly robust for dealing with tough everyday usage on the job-site.

In the large pallets, 48 SKYDECK panels can be stacked and transported very compactly; this corresponds to an area of 54 m².



14 panels with 150 cm x 75 cm dimensions can be stacked in the SKYDECK pallets. The pallet lifting truck is used for moving operations.



Stackable pallets are available for the SKYDECK guardrail units – these provide space for 10 guardrails.



Suitably-sized pallets are also available for PERI slab props, e.g. 25 MULTIPROP props can be stored in a single pallet.

SKYDECK in use

Reference projects with the panelized slab formwork



MainTor Porta, Frankfurt am Main, Germany

The MainTor Porta connects the banking district and the old town in close proximity to the Main, with offices and roof terraces offering impressive views. The confined space of the inner city location brought with it special logistical challenges in the actual construction while, in addition, hospital capacity was extremely limited. In order to ensure fast upward construction, it was possible to regulate the building process by means of suitable PERI climbing technology with the CB 240 Climbing System and the TRIO panel formwork. Subsequently, the SKYDECK panelized slab formwork guaranteed fast shuttering times for the realization of the storey slabs.



For many years now, **SKYDECK** has proved itself on countless construction sites. Both in residential construction and high-rise structures as well as industrial buildings, the system stands out due to its very low shuttering times.

SKYDECK in use

Reference projects with the panelized slab formwork



Saving time with MAXIMO and SKYDECK



High level of safety at the slab edges



Elliptical slab area with standard components

Residential and office building at the Nordbahnhof, Vienna, Austria

On the site of the former Vienna Nordbahnhof, two eight-storey residential buildings with a total of 91 residential units were realized. Increased architectural concrete requirements were to be met for the walls and undersides of the balconies; in addition, the 10-month construction schedule for the structural work was extremely tight.

Through the use of MAXIMO Panel Formwork and SKYDECK Panelized Slab Formwork, the walls and slabs could be formed much faster which meant, in conjunction with the well thought-out cycle planning, on-site material requirements remained manageable. When forming the floor slabs with SKYDECK, the recurring assembly sequence and easy handling in particular accelerated shuttering and striking procedures.

De Rotterdam, Rotterdam, Netherlands

The 150 m high multi-storey ensemble consists of three complex-designed office, hotel and residential towers standing side by side and connected to each other. At the halfway point, the Rotterdam-based architect, Rem Koolhaas, provided the structure with a horizontal offset to the west and north. As a result, the storeys cantilever in part almost 9 m at a height of 86 m.

With SKYDECK, the floor slabs could be formed without the need of a crane; striking manually in particular supported fast working operations. The construction team only required eight days for one complete standard floor. For the floors in the base section, a high degree of safety was ensured using cantilevered main beams and SKYDECK platforms, also at the slab edges. For the large supporting heights reaching over several storeys, the construction crew combined SKYDECK with the MULTIPROP shoring system.

Warsaw Spire, Warsaw, Poland

The 220 m high, waist-like office tower with an elliptical ground plan is flanked by a 55 m high building on each side. The PERI formwork solution took into account both the challenges of the complex building form as well as making it possible to comply with the strictly defined construction phase.

SKYDECK Panelized Slab Formwork was used for constructing the floor slabs of the office tower which could be easily adapted to suit the elliptical shape using standard components. In addition, through the drophead and possibility of early striking, on-site requirements of panels and main beams were clearly reduced.

200,000 m² floor slabs brought into shape

SKYDECK and MAXIMO set a fast pace



Efficient complete solution with competent service

Sasol Administration Building, Johannesburg, South Africa

The new headquarters of the internationally operating oil and chemical company, Sasol, has a total of 17 storeys which provides 200,000 m² of usable floor space. An extraordinary glass facade encloses the futuristic-looking building.

The around 200,000 m² slab area could be concreted in fast cycle sequences with the SKYDECK Panelized Slab Formwork. Furthermore, both time and costs could be saved through the systematic assembly sequence and lightweight elements also when dealing with the challenging building geometry. In addition, SKYDECK platforms ensured safe working conditions at the slab edges. Even the infill areas on the partly inclined props were closed with system components. In the area of the building's acute-angled corners, project-specific slab tables were used to great effect.

"villanova" residential complex, Vienna-Schwechat, Austria

The name "villanova" embodies the Italian approach to life, a message conveyed by the new residential complex at the Alanovaplatz which is situated close to the town centre. Four modern residential blocks, each with 5 floors, accommodate a total of around 100 apartments. Using the MAXIMO Panelized Formwork System and SKYDECK Slab Formwork, the shell construction was completed in only 12 months.

MAXIMO Panel Formwork was used for realizing most of the walls. The single-sided MX Tie Technology along with the reduced number of anchor points and simultaneous elimination of spacer tubes and cones saved valuable construction time from the beginning onwards. Consistent with the rapid progress through the use of MAXIMO, all storey slabs were systematically and efficiently formed with the help of SKYDECK. In particular, the logical and clearly specified assembly sequence as well as the simple handling due to the lightweight components reduced shuttering times.

ADAC headquarters, Munich, Germany

The ADAC – Europe's largest automobile association – moved to new headquarters in Munich. The impressive building complex consists of a five-storey, undulating curved base construction along with a large courtyard. Above the base is an office tower with 18 floors featuring rounded corners. TRIO Panel Formwork was used for the up to 14 m high walls.

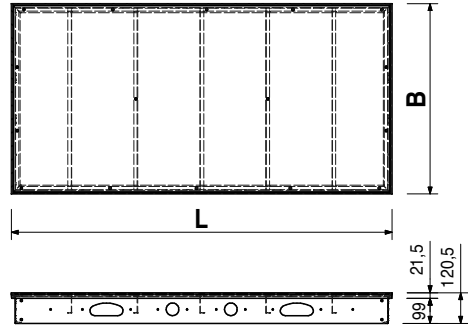
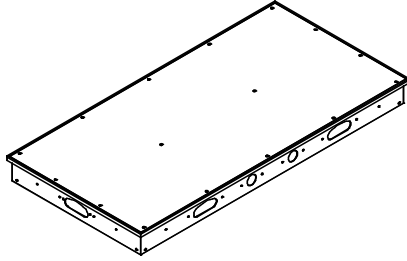
The floor slabs of the base construction were formed with modular and customised tables as well as the MULTIFLEX Girder Slab Formwork. For the tower, SKYDECK Panelized Slab Formwork was selected – with protection provided by the RCS Climbing Protection Panel which securely and reliably enclosed the topmost three floors under construction. MULTIPROP Aluminium Slab Props served as temporary support. Due to the high load-bearing capacity of the MULTIPROP, fewer props were required. This, in connection with the low weight, led to enormous time-savings.

SKYDECK Panel Slab Formwork

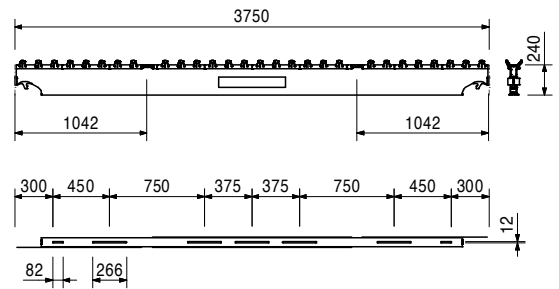
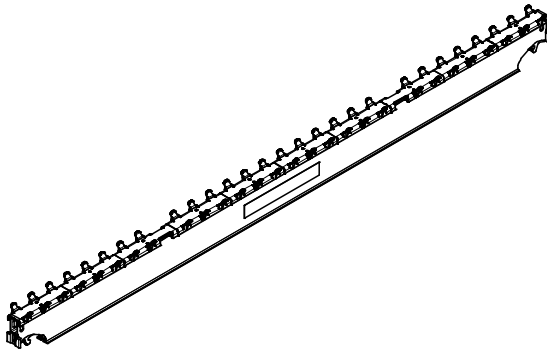


Item no.	Weight kg		L	B
		Panels SDP		
061000	15.500	Panel SDP 150 x 75	1500	750
061011	11.700	Panel SDP 150 x 50	1500	500
061020	9.780	Panel SDP 150 x 37.5	1500	375
061010	8.560	Panel SDP 75 x 75	750	750
061013	6.350	Panel SDP 75 x 50	750	500
061030	5.250	Panel SDP 75 x 37.5	750	375

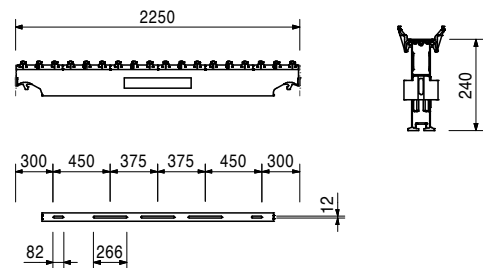
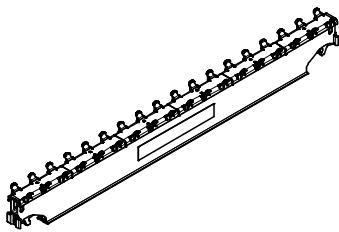
Panel with 9 mm plywood.



061160	25.700	Main Beam SLT 375 For cantilevers.
--------	--------	--



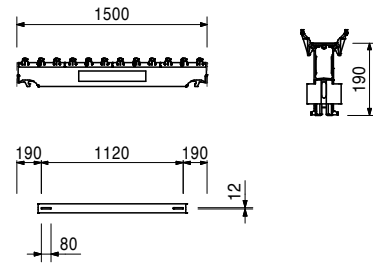
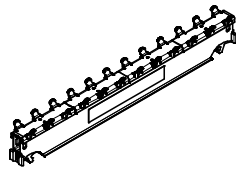
061100	15.600	Main Beam SLT 225 For standard fields.
--------	--------	--



SKYDECK Panel Slab Formwork

Item no.	Weight kg
061110	9.690

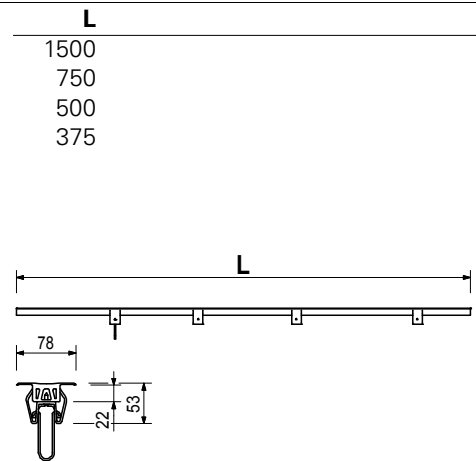
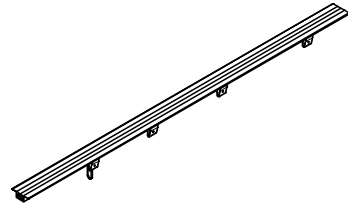
Main Beam SLT 150
For filler areas.



061026	1.580
061027	0.794
061024	0.524
061038	0.400

Cover Strips SAL
Cover Strip SAL 150
Cover Strip SAL 75
Cover Strip SAL 50
Cover Strip SAL 37.5

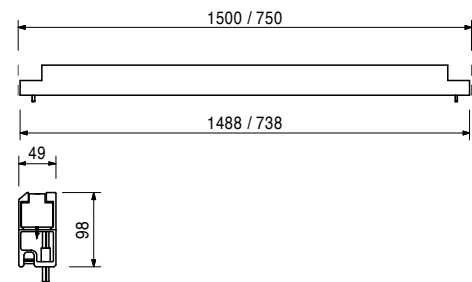
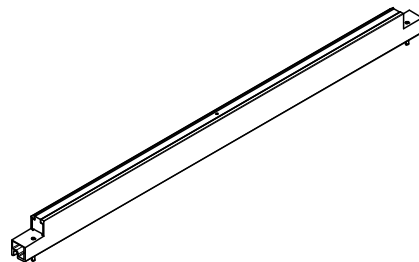
Plastic. Panel with 21 mm plywood. For use with drophead SFK.



061045	5.740
061046	2.720

Edge Beams SRT-2
Edge Beam SRT-2 150
Edge Beam SRT-2 75

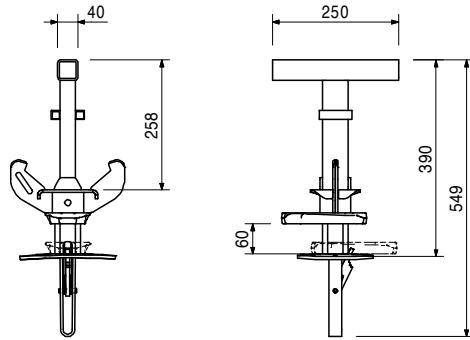
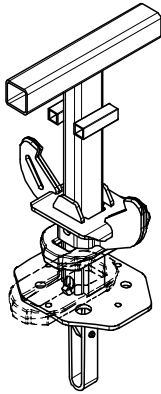
For longitudinal and transverse filling, for shuttering around columns. Panel with 21 mm plywood.



Item no.	Weight kg
061210	6.180

Drophead SFK

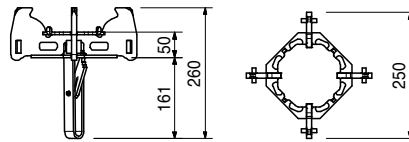
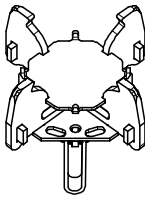
With self-locking coupling. Supports main beam as well as cover strip and formlining. Lowering height 6 cm. For 21 mm plywood formlining.



061200	3.860
--------	-------

Prophead SSK

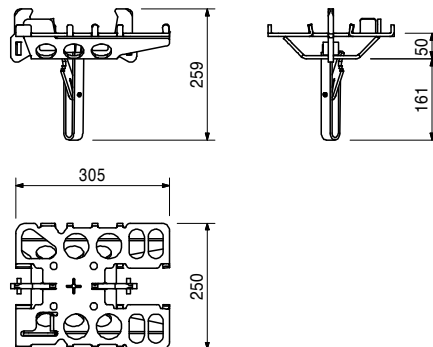
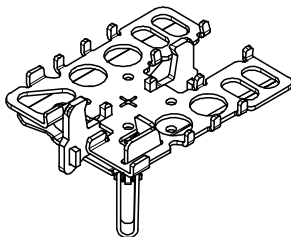
With self-locking coupling. Supports main beams, panels, edge girders and filler timber.



061180	5.340
--------	-------

Combihead SCK

With self-locking coupling. Supports main beams, panels, edge girders and filler timber.

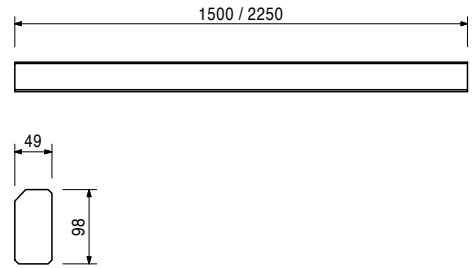
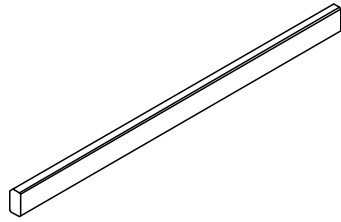


Item no. Weight kg

061049	3.350
061036	5.020

Filler Timbers SPH
Filler Timber SPH 150
Filler Timber SPH 225

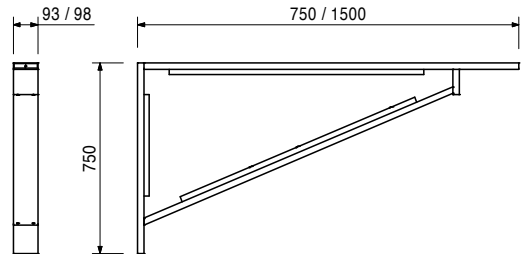
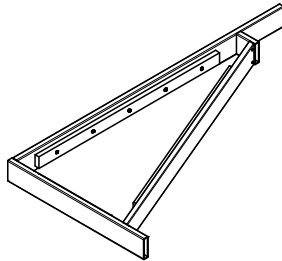
For compensations with 21 mm plywood formlining.



061021	8.660
061022	5.350

Triangular Frames SDR
Triangular Frame SDR 150 x 75
Triangular Frame SDR 75 x 75

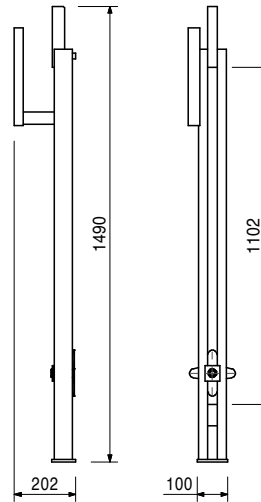
For compensations on inclined walls. For compensations with 21 mm plywood formlining.



061051	5.250
--------	-------

Wall Holder SWH-2

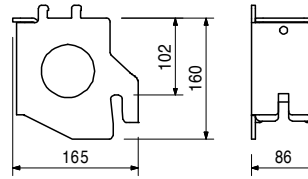
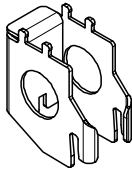
For horizontal anchoring at the wall. Attach to every second girder or panel.



Item no.	Weight kg
061023	2.140

End Support SSL

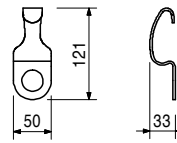
To be used as compensation to the filler area and to be fixed to the drophead SFK.



061290	0.133
--------	-------

Panel Clip SPK

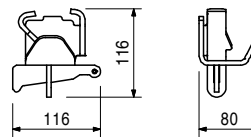
Fixes panel on main beam.



061280	0.778
--------	-------

Panel Wedge Clip SPKK

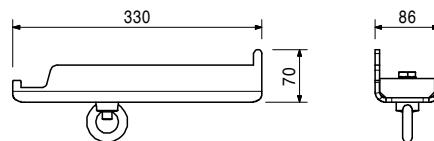
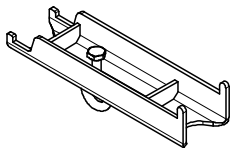
Fixes panel on main beam.



061052	2.590
--------	-------

Table Connector STV

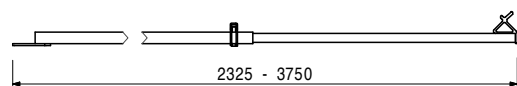
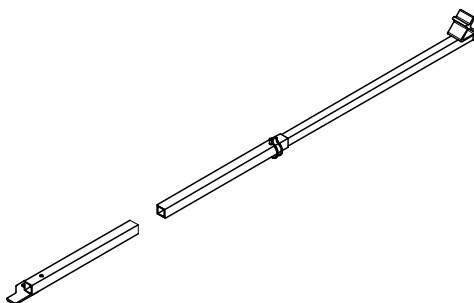
For assembling SKYDECK Slab Tables. Also allows the fixing of intermediate props at the main beam.



061300	2.240
--------	-------

Erection Aid SSH

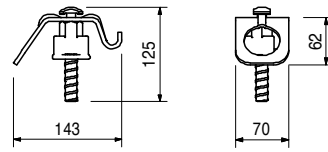
For forming with SKYDECK. Adjustable in 7.5-cm-increments.



Item no.	Weight kg
061310	0.996

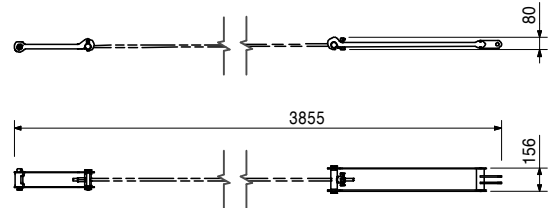
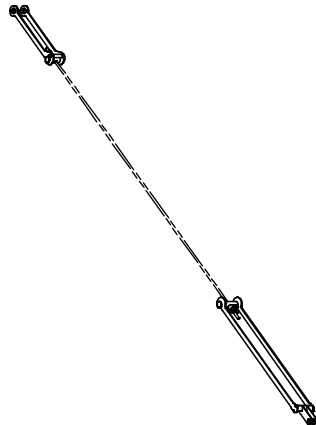
Tension Sleeve SAO
For bracing cantilevered main beams.

Technical Data
Permissible tension force 3.0 kN.



123633	12.100
--------	--------

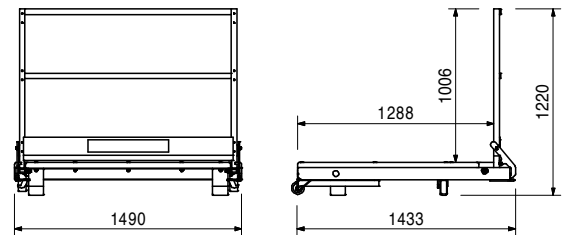
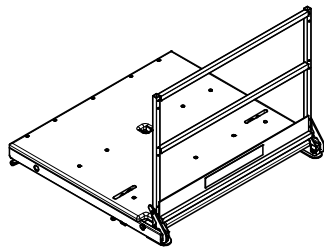
Tension Unit SD



061060	108.000
--------	---------

Platform SDB 150
Work and safety scaffold. Scaffold width 1.30 m.
With continuous 39 mm thick decking and foldable handrail frame.

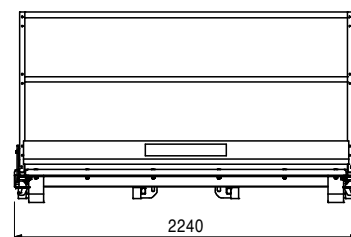
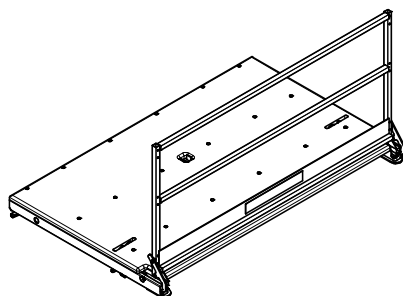
Technical Data
Permissible load 150 kg/m².



061061	153.000
--------	---------

Platform SDB 225
Work and safety scaffold. Scaffold width 1.30 m.
With continuous 39 mm thick decking and foldable handrail frame.

Technical Data
Permissible load 150 kg/m².



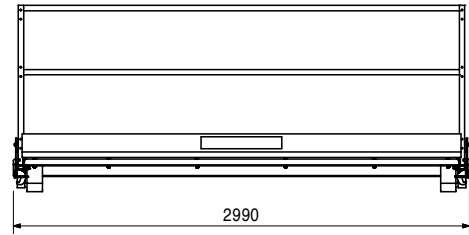
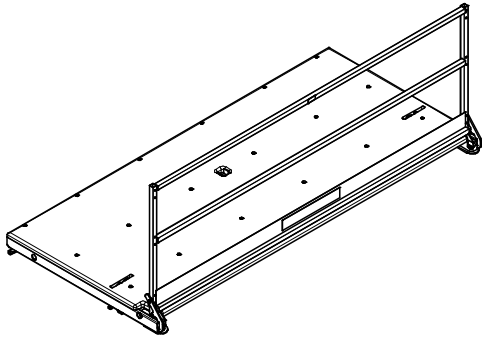
Item no.	Weight kg
061062	185.000

Platform SDB 300

Work and safety scaffold. Scaffold width 1.30 m. With continuous 39 mm thick decking and foldable handrail frame.

Technical Data

Permissible load 150 kg/m².



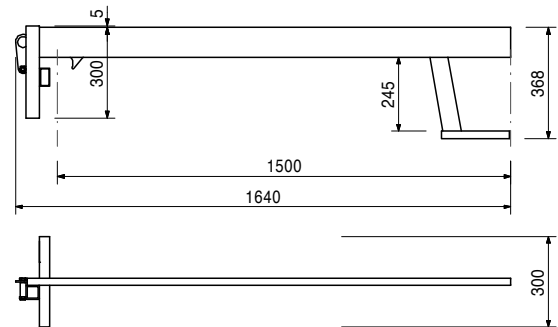
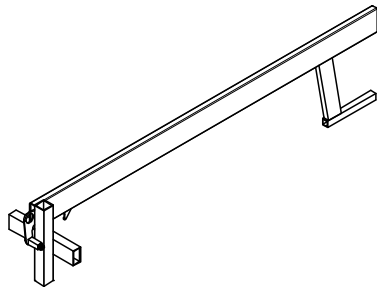
061250	4.760
--------	-------

Guardrail Holder SGH, Alu

For assembling a guardrail with SKYDECK.

Technical Data

Maximum width of influence 1.55 m.



Accessories

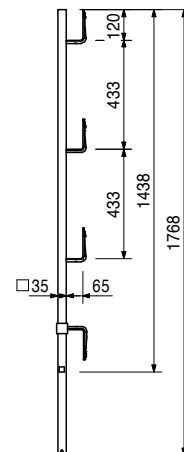
061260	6.150
--------	-------

Guardrail Post SGP

061260	6.150
--------	-------

Guardrail Post SGP

As guardrail for different systems.

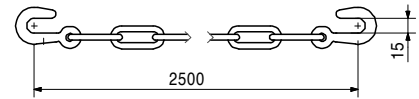
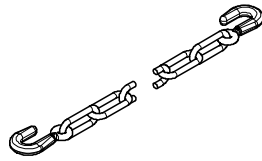


Item no.	Weight kg
065073	1.370

Anchor Chain 3.0 kN, l = 2.5 m

Technical Data

Permissible tension force 3.0 kN.

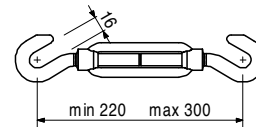
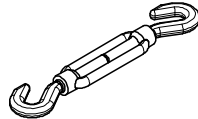


065074	0.450
--------	-------

Turnbuckle 3.0 kN, M12

Technical Data

Permissible tension force 3.0 kN.



028100	1.830
--------	-------

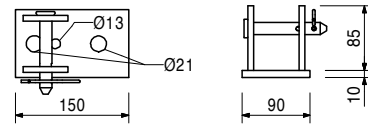
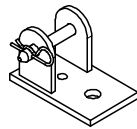
Base Plate for RS

For assembly of RS Push-Pull Props.

Complete with

1 pc. 018050 Pin \varnothing 16 x 65/86, galv.

1 pc. 018060 Cotter Pin 4/1, galv.



124777	0.210
--------	-------

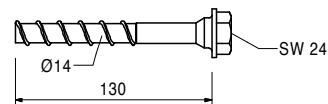
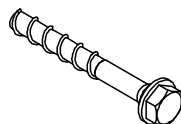
Anchor Bolt PERI 14/20 x 130

For temporary fixation to reinforced concrete structures.

Note

See PERI data sheet!

Drilling \varnothing 14 mm.



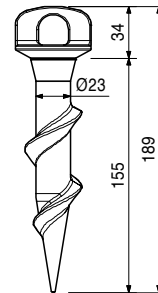
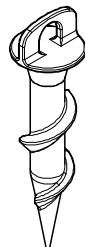
123970	0.047
--------	-------

Screw-On Sleeve PERI M16/164

For temporary mounting of components on reinforced concrete slabs.

Note

Inserted into the fresh concrete immediately after concreting.



Accessories

123973	0.240
--------	-------

Bolt ISO 4014 M16 x 130-8.8, galv.

SKYDECK Panel Slab Formwork



Item no.	Weight kg
061530	82.400

Pallet SD 150 x 225, galv.

For stacking and transportation of 48 SKYDECK Panels 150 x 75.

Complete with

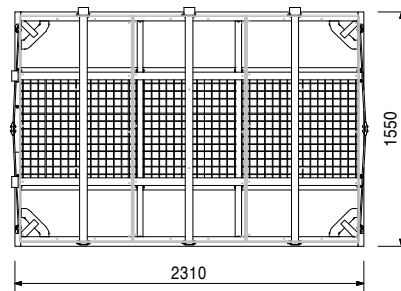
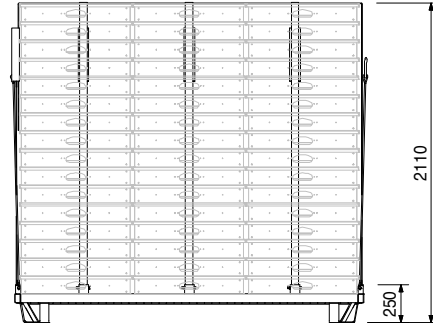
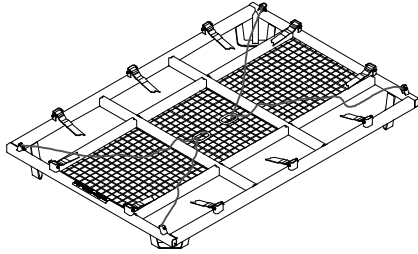
5 pc. 100707 Lashing 25 x 5750 mm

Note

Follow Instructions for Use!

Technical Data

Permissible load-bearing capacity 750 kg.



061500	76.700
--------	--------

Pallet SD 150 x 75, galv.

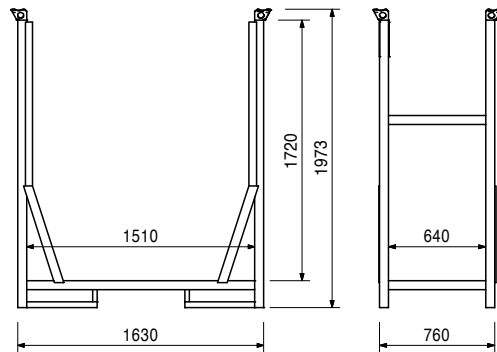
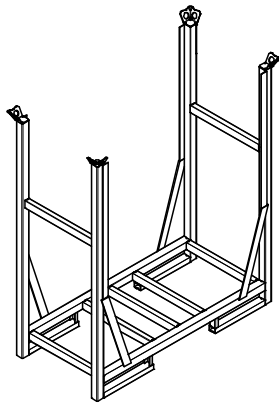
For stacking and transportation of 14 SKYDECK Panels 150 x 75.

Note

Follow Instructions for Use!

Technical Data

Permissible load-bearing capacity 1.0 t.

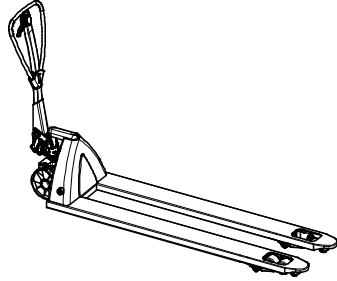


Item no.	Weight kg
061510	105.000

Pallet Lifting Trolley 1800 mm
For moving pallets and crate pallets.

Note
Follow Instructions for Use!

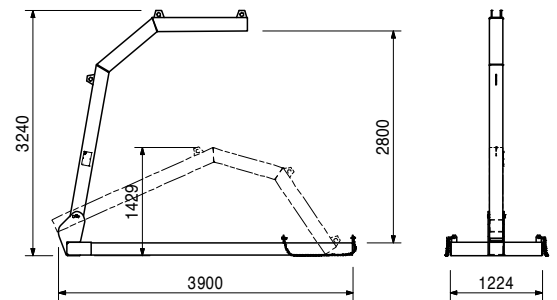
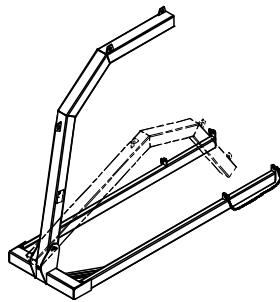
Technical Data
Forklift arm length 1800 mm, forklift arm width 550 mm, stroke range 115 mm.
Permissible load-bearing capacity 2.0 t.



061520	403.000
--------	---------

Transportation Fork SUG, galv.
For moving SKYDECK Slab Tables.

Note
Follow Instructions for Use!
Technical Data
Permissible load-bearing capacity 1.0 t.



SKYDECK Panel Slab Formwork



Item no.	Weight kg
035500	72.800

Stripping Cart, Alu

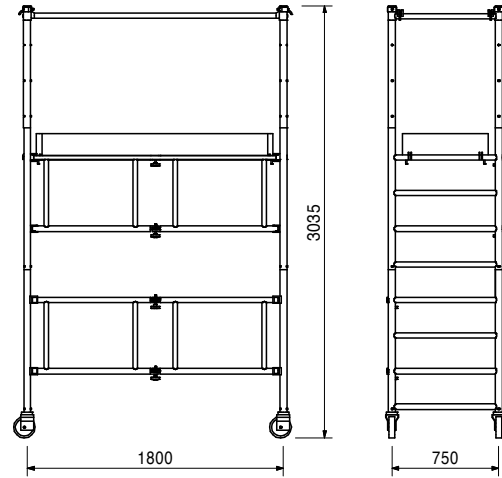
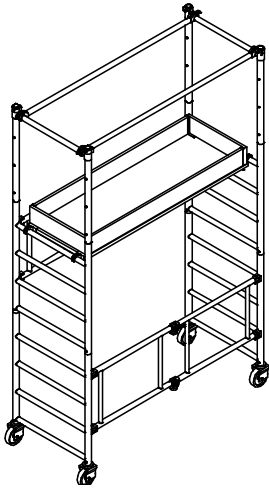
Mobile working scaffold. Height-adjustable in 25-cm-increments. Platform height max. 2.00 m.

Note

Follow Instructions for Use!

Technical Data

Permissible load 100 kg/m².



SKYDECK Panel Slab Formwork



Item no.	Weight kg
102031	363.000

Stripping Cart ASW 465, compl.

Mobile working scaffold. Height-adjustable in 30-cm-increments. Platform height max. 4.65 m.

Packed in:

Ring Pallet USP 104 Item no. 100678, with Lashing Strap 25 x 5750 Item no. 100707 (x 1) and Scaffold Tube Steel L = 1000 Item no. 100706 (x 6).

Complete with

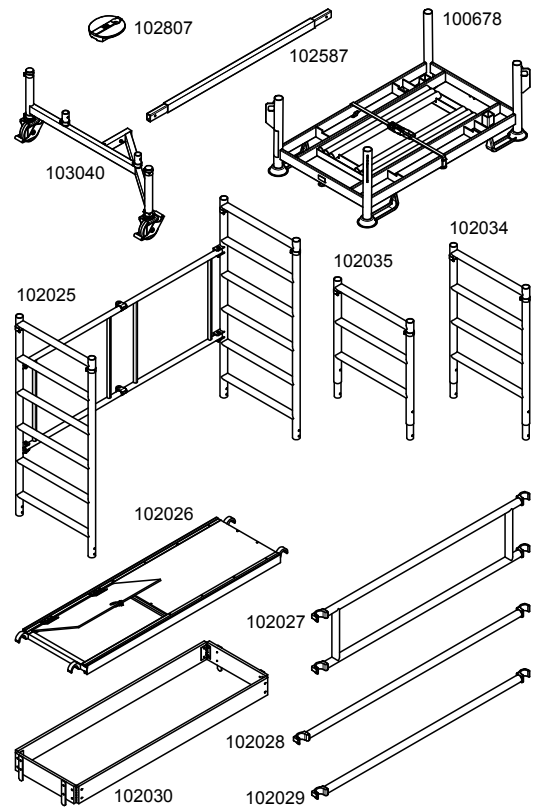
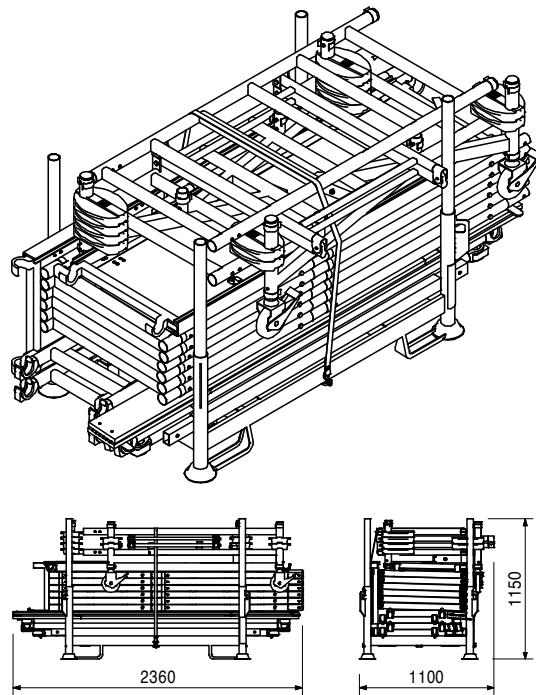
- 1 pc. 102025 Folding Base Unit 160/190 ASW
- 6 pc. 102035 Vertical Frame 70/90 ASW
- 6 pc. 102034 Vertical Frame 70/120 ASW
- 2 pc. 102026 Entry Platform 190 ASW
- 1 pc. 102030 Toe-Board Set 70/190 ASW
- 4 pc. 102027 Double Guardrail 190 ASW
- 3 pc. 102028 Diagonal Brace 210 ASW
- 2 pc. 102029 Horizontal Brace 190 ASW
- 12 pc. 102807 Ballast 10 kg ASW
- 2 pc. 103040 Lateral complete ASW
- 1 pc. 102587 Center part ASW galv.

Note

Follow Instructions for Use!

Technical Data

Permissible load 100 kg/m².

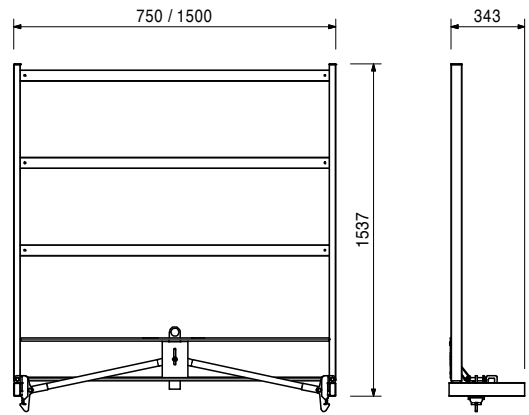
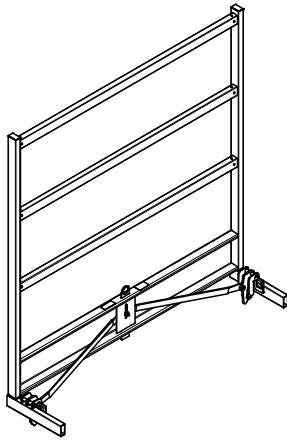


Item no.	Weight kg
----------	-----------

118331	13.500
118323	18.000

Handrail Units SD
Handrail Unit SD 75
Handrail Unit SD 150

For assembling a Guardrail on a casting segment with SKYDECK. Assembling in a rectangular angle on top of the Main Beams.



126630	123.000
--------	---------

Pallet Handrail Unit SD 75

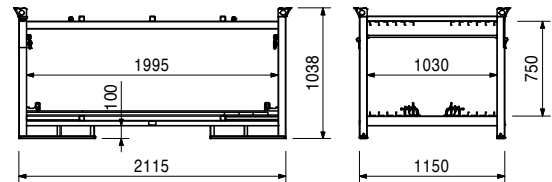
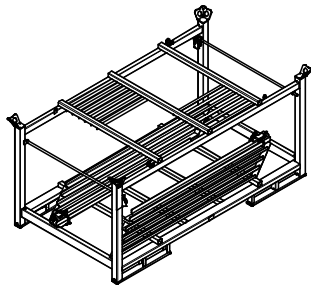
For stacking and transportation of 10 SKYDECK Handrail Units SD 75.

Note

Follow Instructions for Use!

Technical Data

Permissible load-bearing capacity 150 kg.



SKYDECK Panel Slab Formwork



Item no.	Weight kg
126580	134.000

Pallet Handrail Unit SD 150

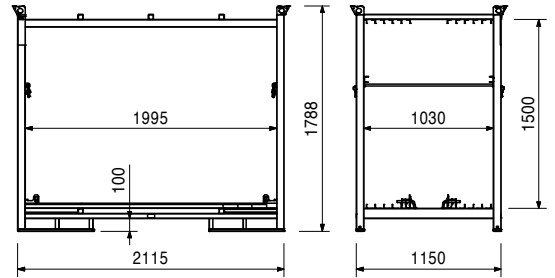
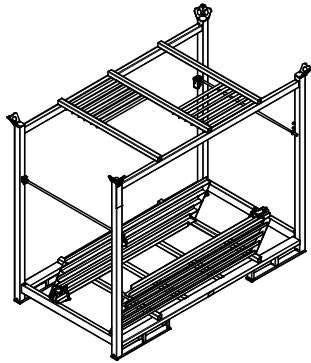
For stacking and transportation of 10 SKYDECK Handrail Units SD 150.

Note

Follow Instructions for Use!

Technical Data

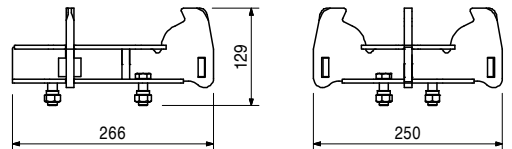
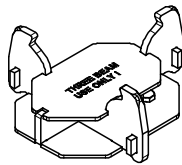
Permissible load-bearing capacity 200 kg.



118622	4.870
--------	-------

Transition Prophead SDSK

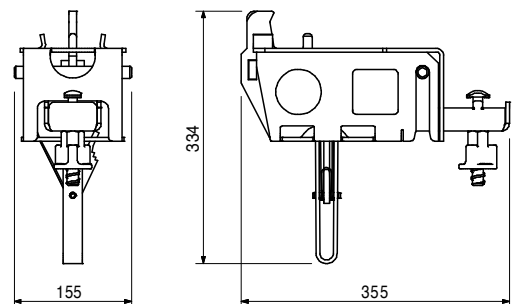
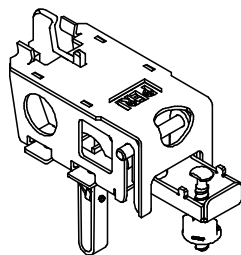
For the rectangular change of the direction of the Main Beam SLT in the standard application with Prophead SSK.



127620	6.790
--------	-------

Transition Head SDFK

For the rectangular change of the direction of the Main Beam SLT in the standard application with Drophead SFK.



Item no.	Weight kg
114755	567.000

Lifting Plattform 290

For shuttering and striking of SKYDECK Panels.

Complete with

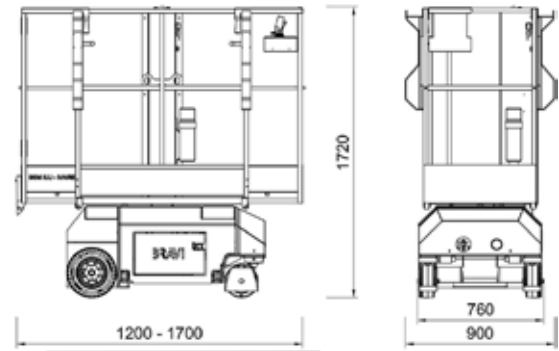
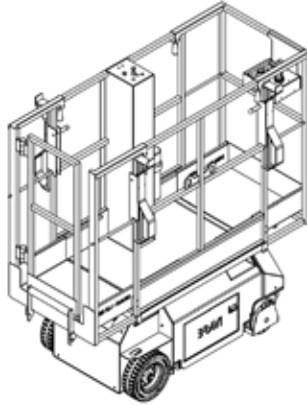
- 1 pc. 129377 Panel Holder SD, right
- 2 pc. 129378 Panel Holder SD, left

Note

Follow Instruction for Use!

Technical Data

Platform height max. 2.90 m; working height max. 4.90 m. Required tension force for the charging process 110/220 V, 50/60 Hz. Permissible load-bearing capacity 180 kg.



**The optimal System
for every Project and
every Requirement**



Wall Formwork



Column Formwork



Slab Formwork



Climbing Systems



Bridge Formwork



Tunnel Formwork



Shoring Systems



Construction Scaffold



Facade Scaffold



Industrial Scaffold



Access



Protection Scaffold



Safety Systems



**System-Independent
Accessories**



Services



PERI GmbH
Formwork Scaffolding Engineering
 Rudolf-Diesel-Strasse 19
 89264 Weissenhorn
 Germany
 Tel. +49 (0)7309.950-0
 Fax +49 (0)7309.951-0
 info@peri.com
 www.peri.com

